

SHORT PAPER PREPARATION FOR GCGW-2021 PAPERS (Arial, 11 Points, Centered)

First Author^{1*}, Second Author², Third Author³ (Arial, 9 points, Centered)

¹ Name Surname, University, Department of Mechanical Engineering, City, Country (Arial, 9 points, Centered)

*Corresponding author e-mail: author.name@deu.edu.tr (Arial, 9 points, Centered)

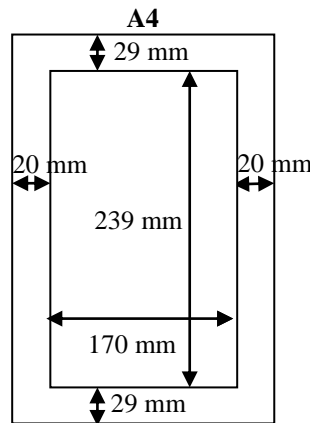
ABSTRACT (Arial 10 points, Capitalized, Bold, Justified)

Please carefully follow the guidelines in the current template and submit the WORD file via [EasyChair submission system](#). Make sure that your paper is **free** of technical, grammatical and typographical errors. (Arial, 10 points, Justified)

Keywords: Give 3 to 5 keywords, Separate with commas. (Arial 10 points, Capitalized, Justified)

1. INTRODUCTION (Arial 10 points, Capitalized, Bold, Justified)

Each paper, including figures and tables, should be limited to **4 pages**. The paper should be typed as a single-columned text. Number the pages on bottom center. Define abbreviations and acronyms the first time they are used. The margins are as follows:



2. MATERIAL AND METHODS (or **MODELING** or **ANALYSIS** or **EXPERIMENTAL** or **ANOTHER TITLE**)

Describe the system being studied and methodology applied. Avoid footnotes at the bottom of the page within the frame.

2.1. Structure of the Paper (Arial 10 points, Capitalize Each Word, Bold, Justified)

Papers should have the following structure: Title, Author names and their affiliation, Abstract, Main Text, Conclusions, Acknowledgements (if appropriate), Nomenclature (if appropriate), and References.

2.2 Units and Equations

Use **SI units** only. Equations should be typed (**please do not paste the equations as pictures**). In the text, an equation should be referred to as Eq. (1). Align each equation left and the Equation number to the right. Allow **single spacing** above and below, as:

$$\theta = (T - T_a) / (T_i - T_a) \quad (1)$$

2.3 Tables and Figures

Briefly and descriptively entitle each table and caption each figure. Place the table title above the table and the figure caption below the figure. Each table and figure should be referred in the text (e.g., Fig. 1, Table 1); and placed in the order referred to and as close as possible to the first reference in the text. Allow **single spacing** between the table or figure and the adjacent text, and no space between the table title and table (or between figure caption and figure). Tables and figures should be numbered consecutively with Arabic numerals.

Table 1. Experimental data. (Arial, 9 points, Justified)

Product	Cucumber	Apple
Shape	Cylinder	Sphere
Flow velocity (m/s)	0.05	6.6

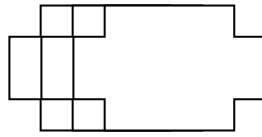


Fig.1. Sketch of the sample. *(Arial, 9 points, Centered)*

Do not reduce figures or tables to a size that is difficult to read.

3. RESULTS AND DISCUSSION

All the results obtained should be discussed in detail.

4. CONCLUSIONS

State the main findings in brief.

Acknowledgement *(Optional)*

Acknowledgement comes here.

NOMENCLATURE *(Optional)*

A area, m²

c_p specific heat, J/kg°C

Greek Letters

ρ density, kg/m³

Subscripts

f surrounding fluid

Superscripts

* reference condition

REFERENCES

References should be cited in the text by author and year (Chianelli et al., 1994).

For a Journal Paper:

Colpan, C. O., Dincer, I., & Hamdullahpur, F. (2007). Thermodynamic modeling of direct internal reforming solid oxide fuel cells operating with syngas. *International Journal of Hydrogen Energy*, 32(7), 787-795. *(Arial 9 points, Justified)*

For a Book:

Goswami, D. Y., Kreith, F., & Kreider, J. F. (2000). *Principles of solar engineering*. CRC Press.

For Contribution to a Book:

Chianelli, R. R., Daage, M., & Ledoux, M. J. (1994). Fundamental studies of transition-metal sulfide catalytic materials. In *Advances in Catalysis*, Vol. 40, edited by D. D. Eley, H. Pines, and W. O. Haag. Burlington, Mass.: Academic Press.

For a Website:

<http://www.gcgw.org>. Accessed on August 7, 2017.